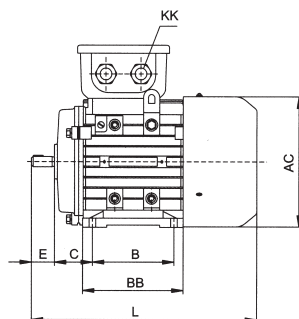
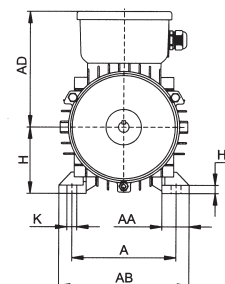
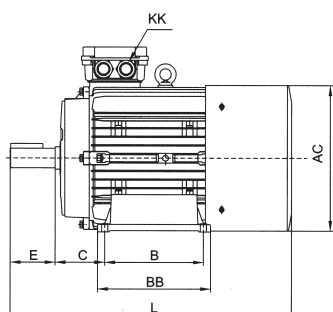
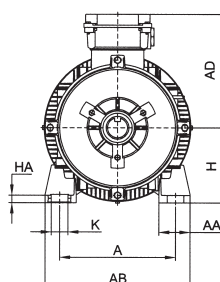
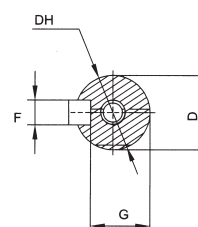
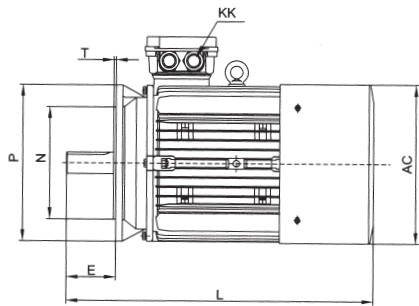
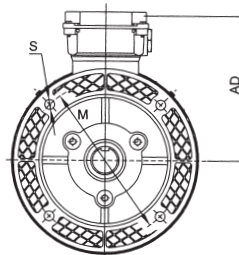
**56-90****100-160****56-160****180-200****180-200**

## DIMENSIONI B3 DIMENSION B3

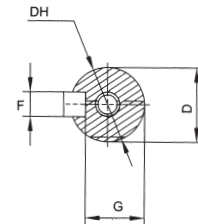
Type	A	AA	AB	BB	HA	AC	AD	B	C	D	DH	E	F	G	H	K	KK		Overall L
																	Metric	PG	
56	90	23	115	88	7	110	100	71	36	9	M4X12	20	3	7.2	56	5.8	1-M20X1.5	1-PG11	199
63	100	24	135	100	7	130	111	80	40	11	M4X12	23	4	8.5	63	7.0	1-M20X1.5	1-PG11	217
71	112	26	150	110	8	145	118	90	45	14	M5X12	30	5	11	71	7.0	1-M20X1.5	1-PG11	245
80	125	35	165	125	9	175	134	100	50	19	M6X16	40	6	15.5	80	10.0	1-M25X1.5	1-PG16	287
90S	140	37	180	125	10	195	140	100	56	24	M8X19	50	8	20.0	90	10.0	1-M25X1.5	1-PG16	315
90L	140	37	180	150	10	195	140	125	56	24	M8X19	50	8	20.0	90	10.0	1-M25X1.5	1-PG16	340
100L	160	40	205	172	11	215	160	140	63	28	M10X22	60	8	24.0	100	12.0	1-M32X1.5	1-PG21	385
112M	190	41	230	181	12	240	178	140	70	28	M10X22	60	8	24.0	112	12.0	2-M32X1.5	2-PG21	400
132S	216	51	270	186	15	275	206	140	89	38	M12X28	80	10	33.0	132	12.0	2-M32X1.5	2-PG21	483
132M	216	51	270	224	15	275	206	178	89	38	M12X28	80	10	33.0	132	12.0	2-M32X1.5	2-PG21	510
160M	254	55	320	260	18	330	255	210	108	42	M16X36	110	12	37.0	160	15.0	2-M40X1.5	2-PG29	615
160L	254	55	320	304	18	330	255	254	108	42	M16X36	110	12	37.0	160	16.0	2-M40X1.5	2-PG29	670
180M	279	75	350	315	18	355	272	241	221	48	M16X36	110	14	42.5	180	15	2-M32X1.5	2-PG29	765
180L	279	75	350	315	18	355	272	279	221	48	M16X36	110	14	42.5	180	15	2-M32X1.5	2-PG29	765
200L	318	100	398	355	24	355	272	305	133	55	M20X42	110	16	49	200	19	2-M32X1.5	2-PG36	790



**56-200**

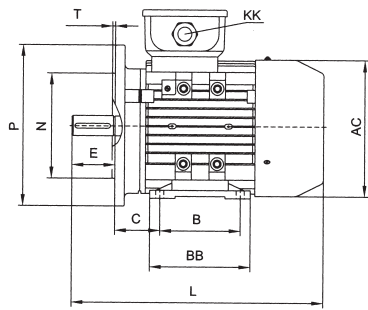


**56-200**

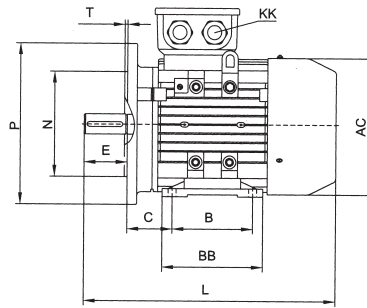


**DIMENSIONI B5**  
**DIMENSION B5**

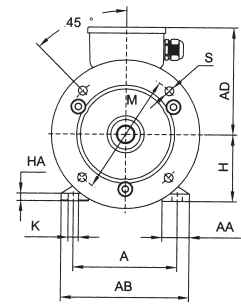
Type	HA	AC	AD	B	C	D	DH	E	F	G	H	K	KK		Overall dimensions					
													Metric	PG	L	M	N	P	S	T
56	7	110	100	71	36	9	M4X12	20	3	7.2	56	5.8	1-M20X1.5	1-PG11	199	100	80	120	7	3.0
63	7	130	111	80	40	11	M4X12	23	4	8.5	63	7.0	1-M20X1.5	1-PG11	217	115	95	140	10	3.0
71	8	145	118	90	45	14	M5X12	30	5	11	71	7.0	1-M20X1.5	1-PG11	245	130	110	160	12	3.5
80	9	175	134	100	50	19	M6X16	40	6	15.5	80	10.0	1-M25X1.5	1-PG16	287	165	130	200	12	3.5
90S	10	195	140	100	56	24	M8X19	50	8	20.0	90	10.0	1-M25X1.5	1-PG16	315	165	130	200	12	3.5
90L	10	195	140	125	56	24	M8X19	50	8	20.0	90	10.0	1-M25X1.5	1-PG16	340	165	130	200	12	3.5
100L	11	215	160	140	63	28	M10X22	60	8	24.0	100	12.0	1-M32X1.5	1-PG21	385	215	180	250	15	4.0
112M	12	240	178	140	70	28	M10X22	60	8	24.0	112	12.0	2-M32X1.5	2-PG21	400	215	180	250	15	4.0
132S	15	275	206	140	89	38	M12X28	80	10	33.0	132	12.0	2-M32X1.5	2-PG21	483	265	230	300	15	4.0
132M	15	275	206	178	89	38	M12X28	80	10	33.0	132	12.0	2-M32X1.5	2-PG21	510	265	230	300	15	4.0
160M	18	330	255	210	108	42	M16X36	110	12	37.0	160	15.0	2-M40X1.5	2-PG29	615	300	250	350	19	5.0
160L	18	330	255	254	108	42	M16X36	110	12	37.0	160	16.0	2-M40X1.5	2-PG29	670	300	250	350	19	5.0
180M	18	355	272	241	121	48	M16X36	110	14	42.5	180	15.0	2-M32X1.5	2-PG29	765	300	250	350	19	5
180L	18	355	272	279	121	48	M16X36	110	14	42.5	180	15.0	2-M32X1.5	2-PG29	765	300	250	350	19	5
200L	24	355	272	305	133	55	M20X42	110	16	49	200	19	2-M32X1.5	2-PG36	790	350	300	400	19	5



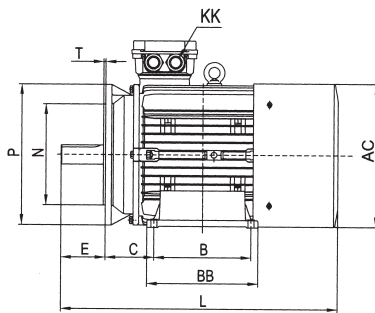
**56-90**



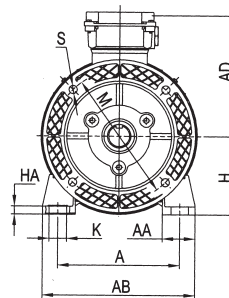
**100-160**



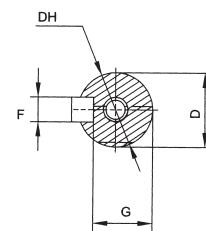
**56-160**



**180-200**

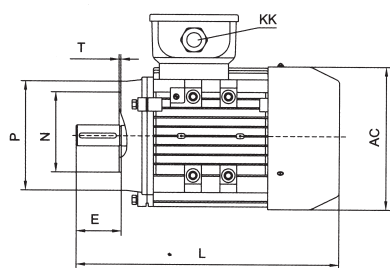


**180-200**

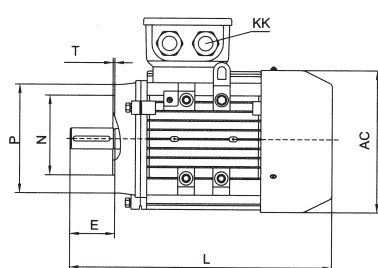


**DIMENSIONI B35  
DIMENSION B35**

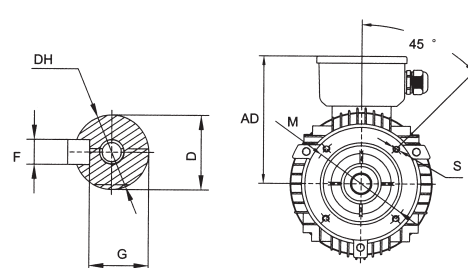
Type	A	AA	AB	BB	HA	AC	AD	B	C	D	DH	E	F	G	H	K	KK		Overall dimensions					
																	Metric	PG	L	M	N	P	S	T
56	90	23	115	88	7	110	100	71	36	9	M4X12	20	3	7.2	56	5.8	1-M20X1.5	1-PG11	199	100	80	120	7	3.0
63	100	24	235	100	7	130	111	80	40	11	M4X12	23	4	8.5	63	7.0	1-M20X1.5	1-PG11	217	115	95	140	10	3.0
71	112	26	150	110	8	145	118	90	45	14	M5X12	30	5	11	71	7.0	1-M20X1.5	1-PG11	245	130	110	160	12	3.5
80	125	35	165	125	9	175	134	100	50	19	M6X16	40	6	15.5	80	10.0	1-M25X1.5	1-PG16	287	165	130	200	12	3.5
90S	140	37	180	125	10	195	140	100	56	24	M8X19	50	8	20.0	90	10.0	1-M25X1.5	1-PG16	315	165	130	200	12	3.5
90L	147	37	180	150	10	195	140	125	56	24	M8X19	50	8	20.0	90	10.0	1-M25X1.5	1-PG16	340	165	130	200	12	3.5
100L	160	40	205	172	11	215	160	140	63	28	M10X22	60	8	24.0	100	12.0	1-M32X1.5	1-PG21	385	215	180	250	15	4.0
112M	190	41	230	181	12	240	178	140	70	28	M10X22	60	8	24.0	112	12.0	2-M32X1.5	2-PG21	400	215	180	250	15	4.0
132S	216	51	270	186	15	275	206	140	89	38	M12X28	80	10	33.0	132	12	2-M32X1.5	2-PG21	483	265	230	300	15	4.0
132M	216	51	270	224	15	275	206	178	89	38	M12X28	80	10	33.0	132	12.0	2-M32X1.5	2-PG21	510	265	230	300	15	4.0
160M	254	55	320	260	18	330	255	210	108	42	M16X36	110	12	37.0	160	15.0	2-M40X1.5	2-PG29	615	300	250	350	19	5.0
160L	254	55	320	304	18	330	255	254	108	42	M16X36	110	12	37.0	160	16.0	2-M40X1.5	2-PG29	670	300	250	350	19	5.0
180M	279	75	350	315	18	355	272	241	121	48	M16*36	110	14	42.5	180	15	2-M32X1.5	2-PG29	765	300	250	350	19	5
180L	279	75	350	315	18	355	272	279	121	48	M16*36	110	14	42.5	180	15	2-M32X1.5	2-PG29	765	300	250	350	19	5
200L	318	100	398	355	24	355	272	305	133	55	M20*42	110	16	49	200	19	2-M32X1.5	2-PG36	790	350	300	400	19	5



**56-90**



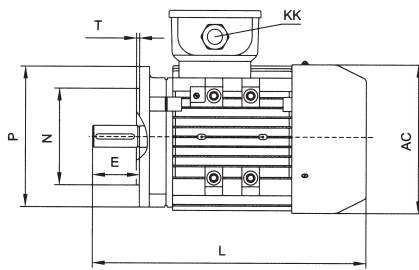
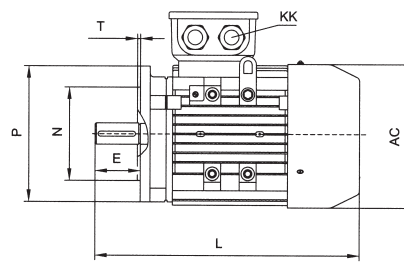
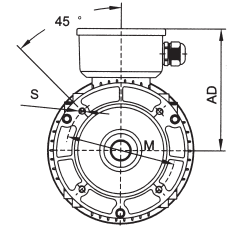
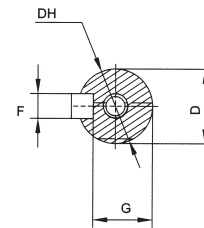
**100-160**



**56-160**

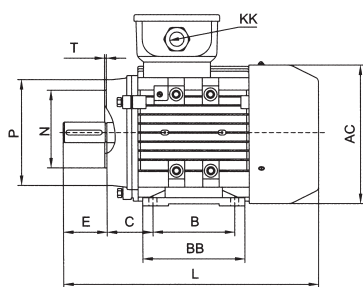
**DIMENSIONI B14A  
DIMENSION B14A**

Type	AC	AD	D	DH	E	F	G	KK		L	M	N	P	S	T
								Metric	PG						
56	110	100	9	M4X12	20	3	7.2	1-M20X1.5	1-PG11	199	65	50	80	M5	2.5
63	130	111	11	M4X12	23	4	8.5	1-M20X1.5	1-PG11	217	75	60	90	M5	2.5
71	145	114	18	M5X12	30	5	11.0	1-M20X1.5	1-PG11	245	85	70	105	M6	2.5
80	175	134	19	M6X16	40	6	15.5	1-M25X1.5	1-PG16	297	100	80	120	M6	3.0
90S	195	140	24	M8X19	50	8	20.0	1-M25X1.5	1-PG16	315	115	95	140	M8	3.0
90L	195	140	24	M8X19	50	8	20.0	1-M25X1.5	1-PG16	340	115	95	140	M8	3.0
100L	215	160	28	M10X22	60	8	24.0	1-M32X1.5	1-PG21	385	130	110	160	M8	3.5
112M	240	178	28	M10X22	60	88	24.0	2-M32X1.5	2-PG21	430	130	110	160	M8	3.5
132S	275	206	38	M12X28	80	10	33.0	2-M32X1.5	2-PG21	483	165	130	200	M10	3.5
132M	275	206	38	M12X28	80	10	33.0	2-M32X1.5	2-PG21	510	165	130	200	M10	3.5
160M	330	255	42	M16X36	110	12	37.0	2-M40X1.5	2-PG29	615	215	180	250	M12	4.0
160L	330	255	42	M16X36	110	12	37.0	2-M40X1.5	2-PG29	615	215	180	250	M12	4.0

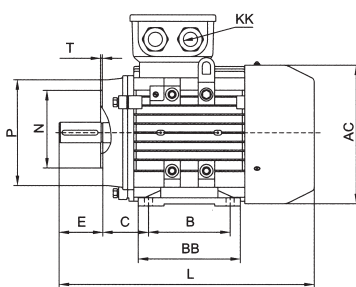
**56-90****100-160****56-160**

## DIMENSIONI B14B DIMENSION B14B

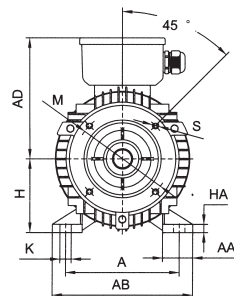
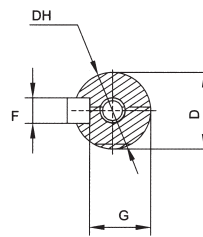
Type	AC	AD	D	DH	E	F	G	KK		L	M	N	P	S	T
								Metric	PG						
56	110	100	9	M4X12	20	3	7.2	1-M20X1.5	1-PG11	199	85	70	105	M6	2.5
63	130	111	11	M4X12	23	4	8.5	1-M20X1.5	1-PG11	217	100	80	120	M6	2.5
71	145	118	14	M5X12	30	5	11.0	1-M20X1.5	1-PG11	245	115	95	140	M8	3.0
80	175	134	19	M6X16	40	6	15.5	1-M25X1.5	1-PG16	297	130	110	160	M8	3.5
90S	195	140	24	M8X19	50	8	20.0	1-M25X1.5	1-PG16	315	130	110	160	M8	3.5
90L	195	140	25	M8X19	50	8	20.0	1-M25X1.5	1-PG16	340	130	110	160	M8	3.5
100L	215	160	28	M10X22	60	8	24.0	1-M32X1.5	1-PG21	385	165	130	200	M10	3.5
112M	240	178	28	M10X22	60	88	24.0	2-M32X1.5	2-PG21	400	165	130	200	M10	3.5
132S	275	206	38	M12X28	80	10	33.0	2-M32X1.5	2-PG21	483	215	180	250	M12	4.0
132M	274	206	38	M12X28	80	10	33.0	2-M32X1.5	2-PG21	510	215	180	250	M12	4.0
160M	330	255	42	M16X36	110	12	37.0	2-M40X1.5	2-PG29	615	265	230	300	M16	5.0
160L	330	255	42	M16X36	110	12	37.0	2-M40X1.5	2-PG29	670	265	230	300	M16	5.0



**56-90**



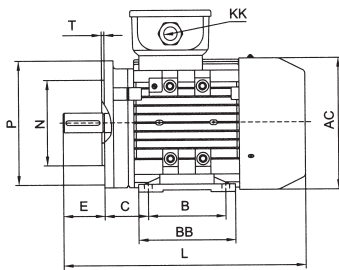
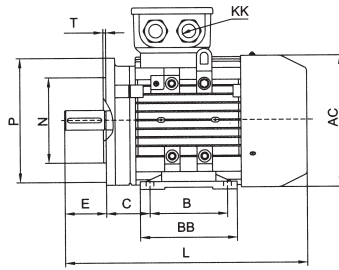
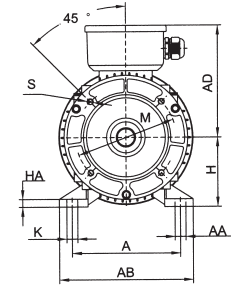
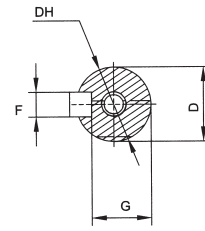
**90-160**



**56-160**

**DIMENSIONI B34A  
DIMENSION B34A**

Type	AC	AD	D	DH	E	F	G	KK		L	M	N	P	S	T
								Metric	PG						
56	110	100	9	M4X12	20	3	7.2	1-M20X1.5	1-PG11	199	65	50	80	M5	2.5
63	130	110	11	M4X12	23	4	8.5	1-M20X1.5	1-PG11	217	75	60	90	M5	2.5
71	145	118	14	M5X12	30	5	11.0	1-M20X1.5	1-PG11	245	85	70	105	M6	2.5
80	175	134	19	M6X16	40	6	15.5	1-M25X1.5	1-PG16	297	100	80	120	M6	3.0
90S	195	140	24	M8X19	50	8	20.0	1-M25X1.5	1-PG16	315	115	95	140	M8	3.0
90L	195	140	24	M8X19	50	8	20.0	1-M25X1.5	1-PG16	340	315	95	140	M8	3.0
100L	215	160	29	M10X22	60	8	24.0	1-M32X1.5	1-PG21	385	130	110	160	M8	3.5
112M	240	178	28	M10X22	60	88	24.0	2-M32X1.5	2-PG21	400	130	110	160	M8	3.5
132S	275	206	38	M12X28	80	10	33.0	2-M32X1.5	2-PG21	483	165	130	200	M10	3.5
132M	275	206	38	M12X28	80	10	33.0	2-M32X1.5	2-PG21	510	165	130	200	M10	3.5
160M	330	255	42	M16X36	110	12	37.0	2-M40X1.5	2-PG29	615	215	180	250	M12	4.0
160L	330	255	42	M16X36	110	12	37.0	2-M40X1.5	2-PG29	670	215	180	250	M12	4.0

**56-90****100-160****56-160**

## DIMENSIONI B34B DIMENSION B34B

Type	AC	AD	D	DH	E	F	G	KK		L	M	N	P	S	T
								Metric	PG						
56	110	100	9	M4X12	20	3	7.2	1-M20X1.5	1-PG11	199	85	70	105	M6	2.5
63	130	111	11	M4X12	23	4	8.5	1-M20X1.5	1-PG11	217	100	80	120	M6	2.5
71	145	118	14	M5X12	30	5	11.0	1-M20X1.5	1-PG11	245	115	95	140	M8	3.0
80	175	134	19	M6X16	40	6	15.5	1-M25X1.5	1-PG16	297	130	110	160	M8	3.5
90S	195	140	24	M8X19	50	8	20.0	1-M25X1.5	1-PG16	315	130	110	160	M8	3.5
90L	195	140	24	M8X19	50	8	20.0	1-M25X1.5	1-PG16	340	130	110	160	M8	3.5
100L	215	160	28	M10X22	60	8	24.0	1-M32X1.5	1-PG21	385	165	130	200	M10	3.5
112M	240	178	28	M10X22	60	88	24.0	2-M32X1.5	2-PG21	400	165	130	200	M10	3.5
132S	275	206	38	M12X28	80	10	33.0	2-M32X1.5	2-PG21	483	215	180	250	M12	4.0
132M	275	206	38	M12X28	80	10	33.0	2-M32X1.5	2-PG21	510	215	180	250	M12	4.0
160M	330	255	42	M16X36	110	12	37.0	2-M40X1.5	2-PG29	615	265	230	300	M16	5.0
160L	330	255	42	M16X36	110	12	37.0	2-M40X1.5	2-PG29	670	265	230	300	M16	5.0