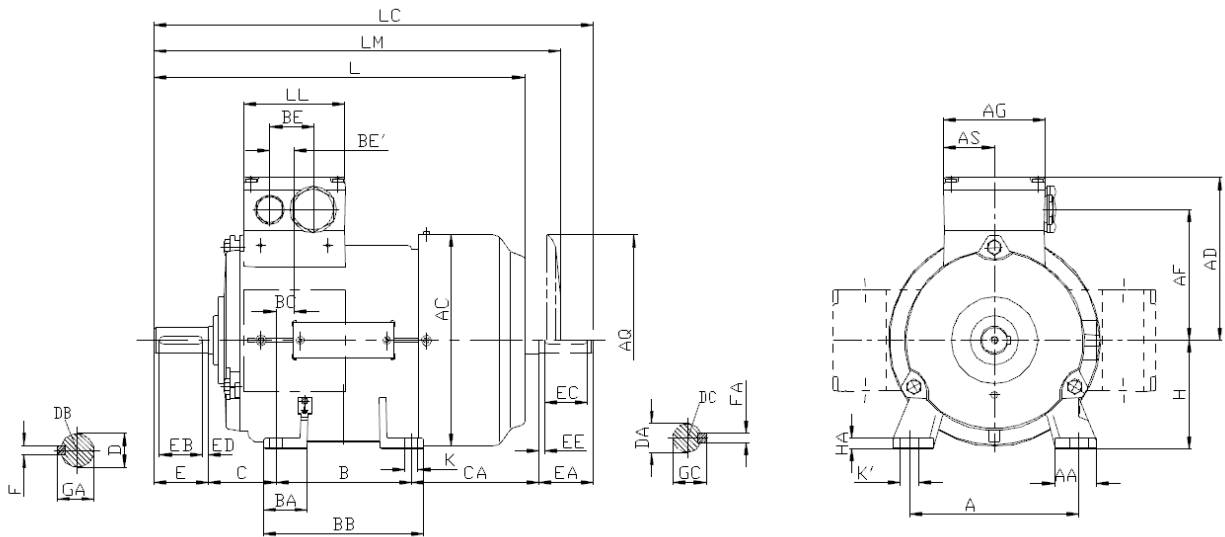


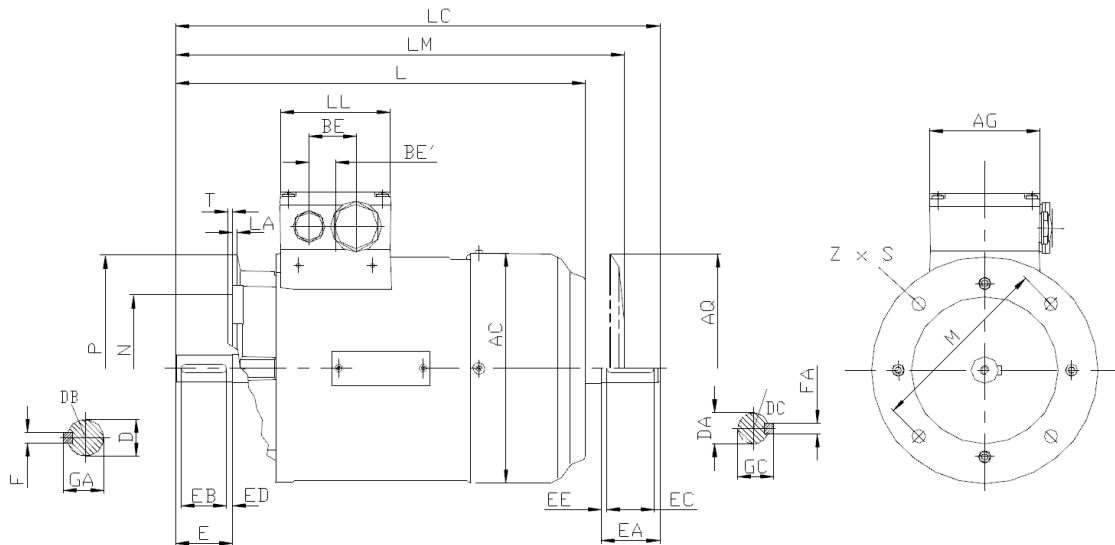
**DIM1TZ9 - Maße Baugröße 63 dimensions frame size 63**

**63**

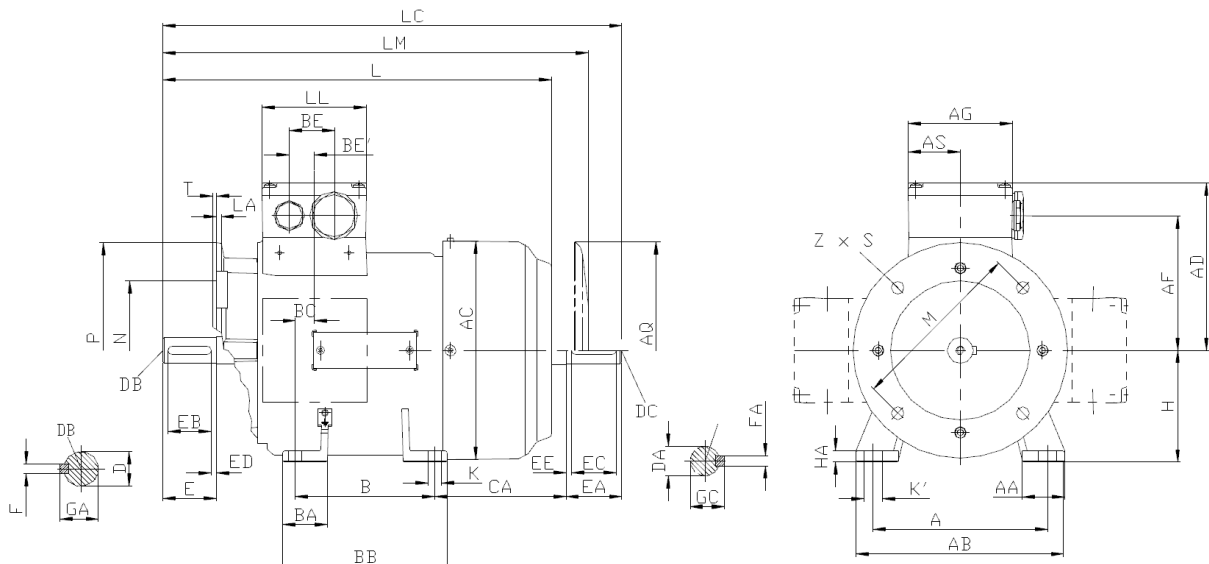
Fußbauformen *foot type of construction*



Flanschbauformen *flange type of construction*



Fuß- Flanschbauformen *feet / flange type of construction*



# IEC Käfigläufermotoren *IEC squirrel-cage-motors*

Eigengekühlte Energiespartmotoren *self-ventilated energy saving motors*

| <i>Gehäuse frame</i>   | AC    | AD    | AD'  | AF    | AG    | AH   | AS    | BE                                     | BE' | H  | HH | L1 | D1 | LL | <b>DIM<br/>63</b> |
|------------------------|-------|-------|------|-------|-------|------|-------|--|-----|----|----|----|----|----|-------------------|
| 63 M                   | 124   | 101   | 101  | 78    | 75    | -    | 38    | 32                                     | 18  | 63 | 70 | -  | -  | 75 |                   |
| <i>FüÙe feet</i>       | A     | AA    | AB   | B     | BA    | BA'  | BB    | BC                                     | C   | HA | K  | K' | Y  |    |                   |
| 63 M                   | 100   | 27    | 120  | 80    | 28    | -    | 96    | 30                                     | 40  | 7  | 7  | 10 | -  |    |                   |
| <i>Flansch flange</i>  | LA    | M     | N    | P     | S     | T    | Z     | <i>Schutzdach canopy (optional)</i> AQ |     |    |    |    |    |    |                   |
| B5                     | 8     | 115   | 95   | 140   | 10    | 3    | 4     | 124                                    |     |    |    |    |    |    |                   |
| B14a                   | -     | 75    | 60   | 90    | M5    | 2,5  | 4     |  |     |    |    |    |    |    |                   |
| B14b                   | -     | 100   | 80   | 120   | M6    | 3    | 4     |  |     |    |    |    |    |    |                   |
| <i>Welle shaft</i>     | D/DA  | DB/DC | E/EA | EB/EC | ED/EE | F/FA | GA/GC |  |     |    |    |    |    |    |                   |
| A-Seite DE             | 11 j6 | M4    | 23   | 16    | 3,5   | 4    | 13    |  |     |    |    |    |    |    |                   |
| B-Seite NDE (optional) | 11 j6 | M4    | 23   | 16    | 3,5   | 4    | 13    |  |     |    |    |    |    |    |                   |

| <i>Längen Standardmotoren length standard motors</i> |              |              |            |              |       |     |    |       |
|--|--------------|--------------|------------|--------------|-------|-----|----|-------|
| Pole   | Leistung     | Baugr.       | Eff        | Type         | L     | LC  | CA | LM    |
| <i>pole</i>  | <i>power</i> | <i>frame</i> | <i>eff</i> | <i>type</i>  |       |     |    |       |
| 2  | 0,18         | 63 M         | IE1        | 1TZ9002-0BA2 | 202,5 | 232 | 66 | 231,5 |
| 2  | 0,18         | 63 M         | IE2        | 1TZ9001-0BA2 | 202,5 | 232 | 66 | 231,5 |
| 2  | 0,25         | 63 M         | IE1        | 1TZ9002-0BA3 | 202,5 | 232 | 66 | 231,5 |
| 2  | 0,25         | 63 M         | IE2        | 1TZ9001-0BA3 | 228,5 | 258 | 92 | 257,5 |
| 2  | 0,37         | 63 M         | IE1        | 1TZ9002-0BA6 | 228,5 | 258 | 92 | 257,5 |
| 2  | 0,37         | 63 M         | IE2        | 1TZ9001-0BA6 | 228,5 | 258 | 92 | 257,5 |
| 4  | 0,12         | 63 M         | IE2        | 1TZ9001-0BB2 | 202,5 | 232 | 66 | 231,5 |
| 4  | 0,18         | 63 M         | IE1        | 1TZ9002-0BB3 | 202,5 | 232 | 66 | 231,5 |
| 4  | 0,18         | 63 M         | IE2        | 1TZ9001-0BB3 | 228,5 | 258 | 92 | 257,5 |
| 4  | 0,25         | 63 M         | IE1        | 1TZ9002-0BB6 | 228,5 | 258 | 92 | 257,5 |
| 6  | 0,06         | 63 M         | IE1        | 1TZ9002-0BC2 | 202,5 | 232 | 66 | 231,5 |
| 6  | 0,09         | 63 M         | IE1        | 1TZ9002-0BC3 | 202,5 | 232 | 66 | 231,5 |
| 8  | 0,04         | 63 M         | IE1        | 1TZ9002-0BD3 | 202,5 | 232 | 66 | 231,5 |

| <i>Längen polumschaltbare Motoren length pole changing motors</i> |              |              |              |       |     |    |       |  |
|---|--------------|--------------|--------------|-------|-----|----|-------|--|
| Pole  | Leist.       | Baugr.       | Type         | L     | LC  | CA | LM    |  |
| <i>pole</i>   | <i>power</i> | <i>frame</i> | <i>type</i>  |       |     |    |       |  |
| 4/2   | 0,1/0,15     | 63 M         | 1TZ9011-0BJ2 | 202,5 | 232 | 66 | 231,5 |  |
| 4/2   | 0,15/0,2     | 63 M         | 1TZ9011-0BJ3 | 202,5 | 232 | 66 | 231,5 |  |